

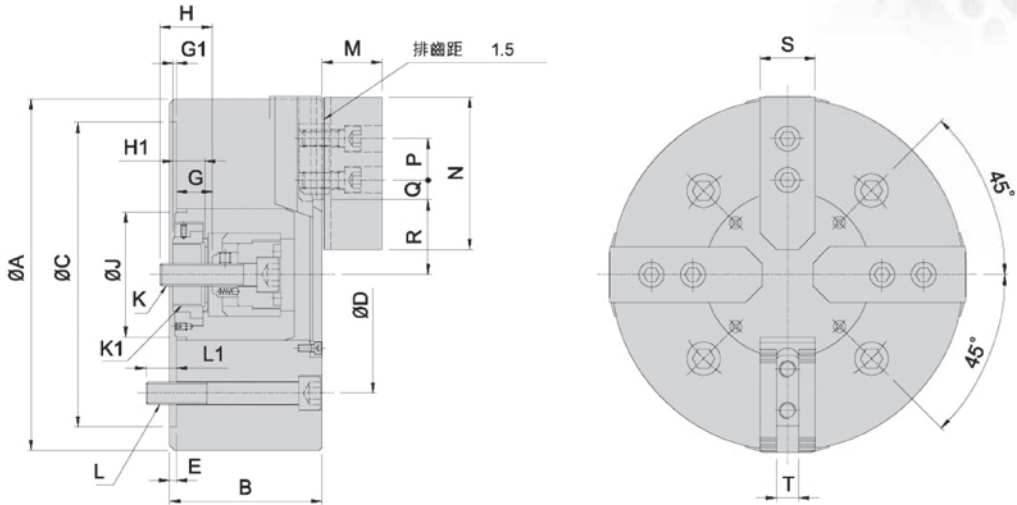
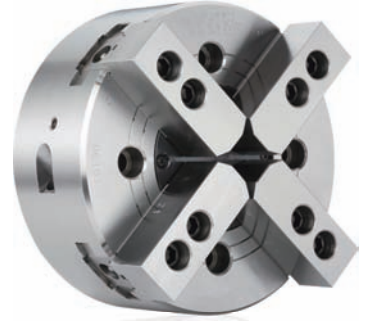
> 4TT SERIES

四爪雙動夾頭

4-JAW TWO-TWO MOTION POWER CHUCK

- ◎ 曲柄型兩兩動作夾頭
- ◎ 適用於方形或异形工件

It's a crank type chuck with independent motion of each two jaws.
it's applicable for clamping square bar or other special shape workpiece.



型號/Model	楔心行程 Plunger stroke (mm)	爪行程(直徑) Jaw stroke (dia.) (mm)	最大夾持直徑 Max.clamping dia. (mm)	最小夾持直徑 Min.clamping dia. (mm)	最大容許油壓缸推力 Max. D.B. pull KN	最大夾持力 Max. clamping force KN	最高回轉數 Max RPM	最高使用壓力 Max Pressure (Mpa)	重量 Weight (kg)	適用油缸 Matching Cylinder
4TT-08	17	13.6	210	24	16.0	54.3	3000	1.7	23.2	SRD-120N
4TT-10	20	16	254	50	21.6	79.4	2100	2.2	44.3	SRD-125N
4TT-12	20	16	304	50	21.6	79.4	1500	2.2	57.6	SRD-125N
4TT-15	25	19.6	381	60	27.2	105.3	1200	2.7	118.3	SRD-125N

型號/Model	A	B	C(H6)	D	E	G Max.	G Min.	G1 Max.	G1 Min.	H	H1	J	K
4TT-08	210	91	170	133.4	5	32	15	2.5	-14.5	29	20	61	M14*2
4TT-10	254	110	220	171.4	5	36.5	16.5	10	-10	36	23	90	M16*2
4TT-12	304	110	220	171.4	5	36.5	16.5	10	-10	36	23	90	M16*2
4TT-15	381	135	300	235	6	44.5	19.5	5	-20	45	28	125	M20*2.5

型號/Model	K1	L	L1	M	N	P	Q Max.	Q Min.	R Max.	R Min.	S	T
4TT-08	M34*1.5	4-M2	20	38	95	25	25.25	13.25	46.1	39.3	35	14
4TT-10	M45*1.5	4-M16	25	43	110	30	32.25	12.75	59	51	40	16
4TT-12	M45*1.5	4-M16	25	43	110	30	54.75	15.75	59	51	40	16
4TT-15	M55*2	4-M20	30	51	130	30	66.5	12.5	78.9	69.1	50	21

* 保留技術更改的權利，恕不另行通知 Subject to technology changes without prior information
* 非標需求可訂做 Non-standard requirements can be made